

EC 前倾离心及鼓风机
EC Forward Curved Centrifugal Fan and Blower

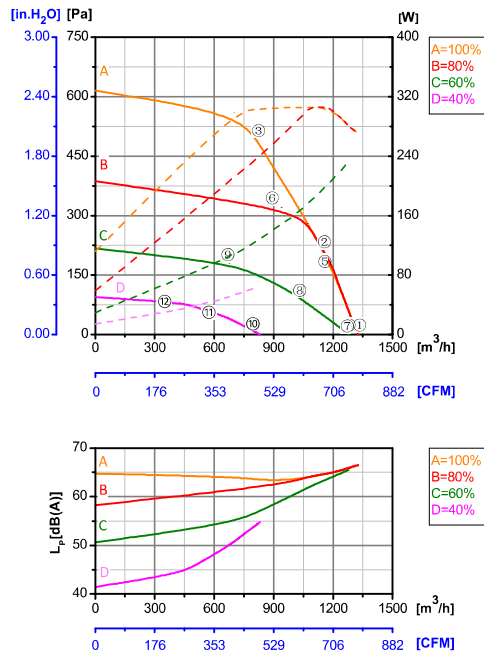
Erp2015
EXCEEDS THE NORM



Φ 146-H (Dual-inlet)

转子材质 Rotor Material: 碳钢 Carbon steel
 蜗壳材质 Housing Material: 碳钢 Carbon steel
 叶轮材质 Impeller Material: 镀锌板 Galvanized steel sheet
 防护等级 Ingress Protection: IP44
 绝缘等级 Insulation Class: F
 轴承类型 Bearing Type: 免维护滚珠轴承
 Maintenance free ball bearing

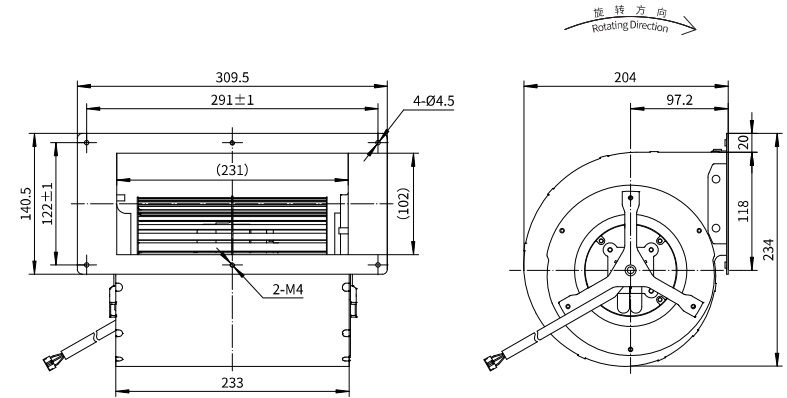
性能曲线 Performance Curves



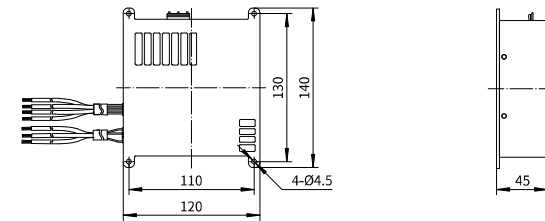
测试节点 Test Point	转速 Speed rpm	输入功率 Input Power W
1	1925	270
2	2340	305
3	2898	303
4	1930	270
5	2249	300
6	2477	261
7	1860	232
8	1861	168
9	1861	102
10	1246	65
11	1246	51
12	1244	39

Erp2015 Data:
 Efficiency $\eta_{statA}=41.1\%$
 Efficiency grade $N_{actual}=50.7, N_{target}=44$
 Test report No. : L-20210302-003-036

鼓风机 Blower



外接控制器 External Controller



产品型号 Model No.	电压 Voltage	频率 Frequency	转速 Speed	输入功率 Input Power	电流 Current	运行温度 Working temp.	认证 Approvals
	VAC	Hz	RPM	W	A	Min/Max (°C)	
EC92-F146-037	1~220/230	50/60	2100	295	1.98	-20/+60	CCC, CE